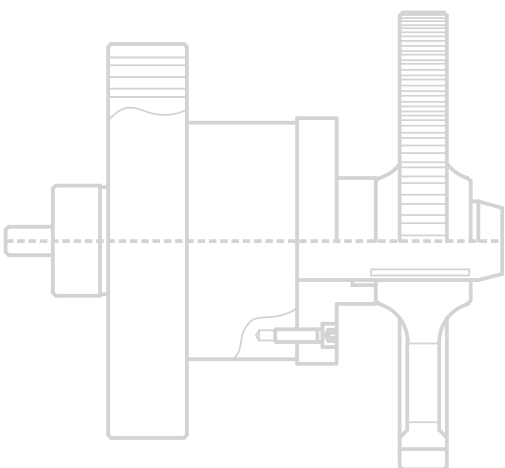
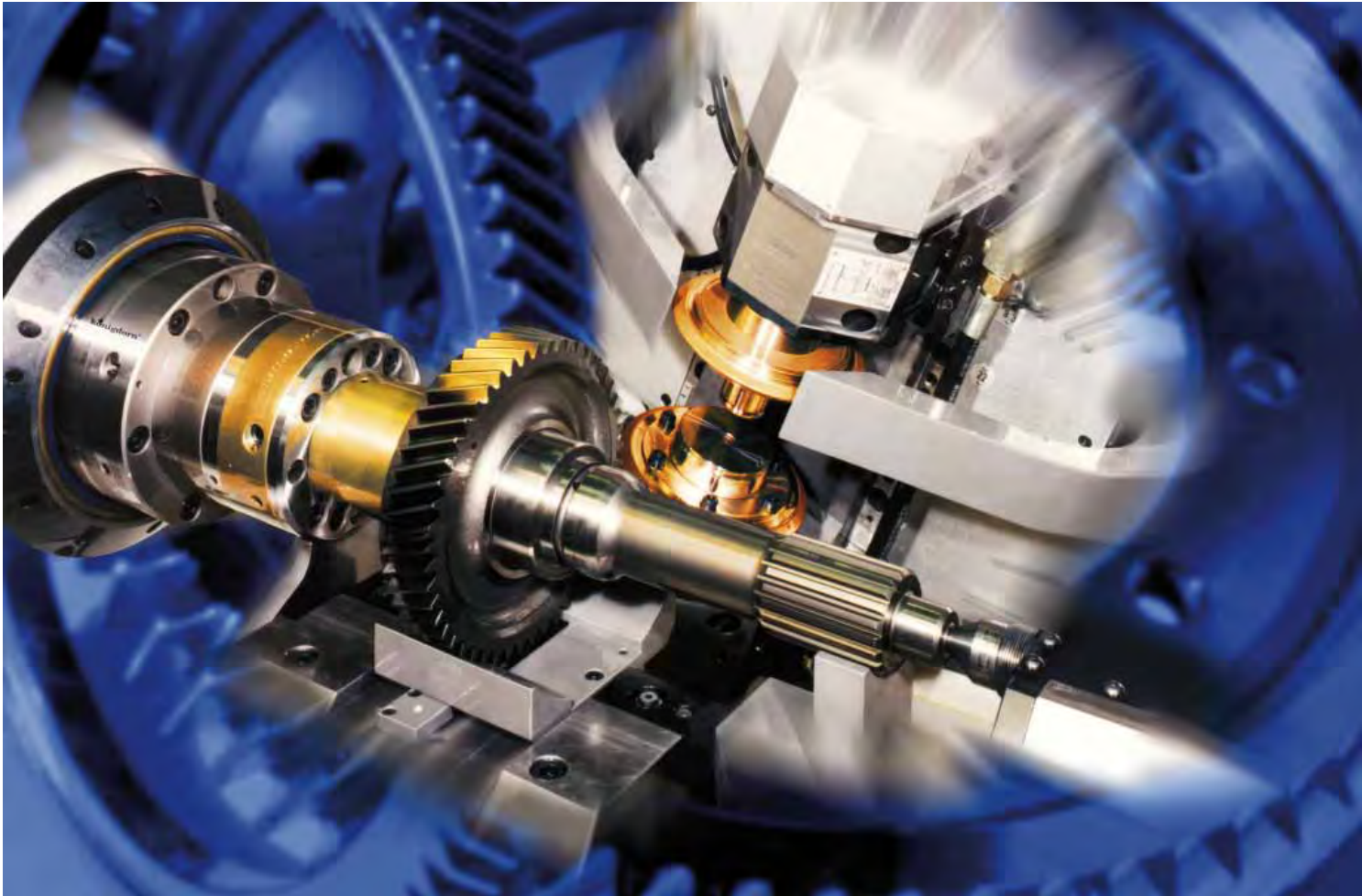


Excellent Clamping



Hydraulic Clamping Devices

Hydraulic Clamping Devices for High Precision and High Productivity

Experience in clamping technology

For decades, König-mtm has been one of the leading manufacturers of state-of-the-art high-precision clamping devices. The extensive production program covers clamping tools such as mandrels and chucks in hydraulic, mechanical or hydro-mechanical versions.

In the mid sixties, König-mtm developed and patented their trademark Königdorn® a future orientated hydraulic clamping tool in order to solve problems within their own high precision manufacturing environment. Since its inception, the Königdorn® has become increasingly popular and valuable in international machining industries.

Clamping tools for market leaders

König-mtm's Königdorn® clamping chucks and mandrels are well known in the tool industry and are well established as original equipment on top-class high-precision CNC controlled machine tools.

The international customers for these high-precision clamping devices come from the transmission, automobile, machine tool, aircraft and other industries.

König-mtm's hydraulic clamping devices

Machining tolerances that were inconceivable years ago have become reality today. Modern CNC-controlled machine tools as well as high-precision bearings and guide ways have offered tolerances measured in microns which are a standard now in the state-of-the-art mechanical engineering.

Conventional machining technologies do not meet the present expectations. Gears ground and measured on high-precision machines are common today. Quiet operation, energy savings and long operating life are the results of these advancements.

Hydraulic clamping devices from König-mtm solve even the most pretentious machining tasks. The high-precision Königdorn® mandrels and chucks have excellent radial and axial run-out accuracy and transfer high clamping forces. They are easy to operate, wear-resistant and resistive to dirt.

Product features

- High precision
- High axial run-out accuracy
- Radial run-out accuracy up to 0,002 mm achievable
- High torque transmission
- Consistant cylindrical extension of the bushing within the whole clamping range
- Reduced tooling set-up expense (high productivity and workpiece flexibility)
- Long operating life
- High dirt resistivity
- Easy to operate
- Low investment costs



A Königdorn® can be fitted with various options. The picture shows a clamping chuck with manual clamping actuation, equipped with an Erowa quick-change plate.

The König quality strategy

While our highly motivated and qualified staff are a substantial base of our quality strategy, our quality management system is in accordance to ISO 9001:2000 standards. In addition, Koenig-mtm maintains ISO14001:2004 certification, pertaining to environmental and industrial safety, thus re-enforcing our desire and need to operate in an environmentally sustainable manner.

The Königdorn® devices are produced on efficient state-of-the-art CNC-controlled machinery with high-quality materials.

To meet the precision requirements, the functions of every Königdorn® device are controlled on modern high performance test stations in both single production steps as well as in an intensive final test.

As a result we guarantee our customers products with high run-out accuracy, best wear resistance and long operating life.



König is well aware of the importance of well-trained employees in the success of the Company. Its metal-cutting apprentices have in recent years received numerous Chamber, State and Federal vocational training awards.



A Königdorn® clamping mandrel for manufacturing aircraft jet engines at the test stand: A high-precision measuring unit controls the run-out accuracy.

Customized Clamping Devices for all Requirements

Clamping sleeve with a solid clamping surface

A Königdorn® clamping device, like a mandrel or chuck operates hydraulically without any mechanical wear. Its main characteristic is the elastic clamping sleeve with a solid clamping surface.

The clamping sleeve is pressurized by a hydraulic medium and a clamping piston which is actuated manually or by the machine. The pressure is exerted without mechanical transduction directly on the clamping sleeve. The solid bushing is expanded up to 0.3 % of the clamping area. Due to this expansion tolerance limit, workpieces can be clamped only on a surface that is already machined.

For applications requiring a wider clamping area König-mtm offers a comprehensive program of mechanical clamping devices (please ask for our special catalog).

Predestinated for almost all machining tasks

The clamping sleeve, hydraulically actuated, works on the entire clamping surface. Therefore, high load torque settings can be transferred, making Königdorn® devices suitable for almost all machining tasks.

Also for mounting operations, requiring high precision, Königdorn® devices are used successfully.

Gentle clamping and optional clamping force limitation

The closed clamping surface results in a very gentle clamping of workpiece or tool. To protect specific sensitive workpieces against damaging by overpressure, a control piston which allows the precise selection of the correct clamping force can be integrated on request. Electronic clamping pressure control, also, is available as an option (see more accessories on page 31).

Suitable for measuring and testing applications

Because of the precise manufacturing process, run-out accuracies up to 2 microns are achievable. This high accuracy allows the use of Königdorn® devices on measuring and testing systems.

Long life time, high productivity and high efficiency

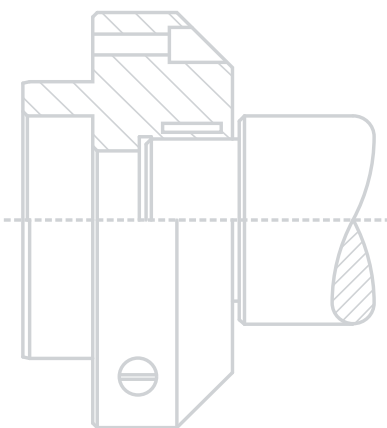
Made of high-grade materials, Königdorn® devices are very wear resistant and have a long operating life. Because of their closed system they are resistive to dirt.

High productivity and quick tooling set-up is the result of the short response times of the hydraulic system – regardless of whether it is actuated manually or automatically.

Individual clamping tools according to customer's specific requirements

König-mtm designs and produces hydraulic clamping devices which are customized to special demands. Almost always they are unique tailor-made tools for customer's specific machining tasks.

We would be pleased to design your special clamping tool, according to your individual requirements.

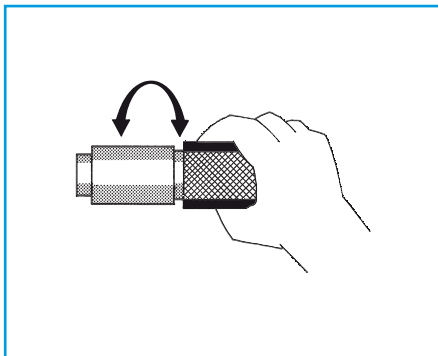


Königdorn® clamping technology

Königdorn® clamping devices are available with several different actuating methods depending on customer's machining tasks or machine layouts.

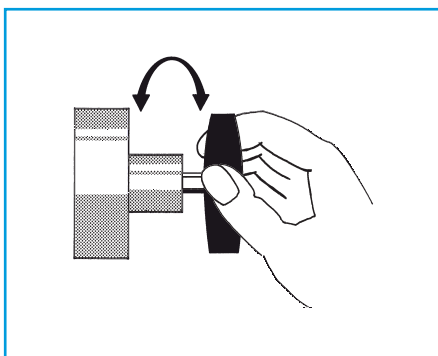
The four most common options are illustrated in the graphics below.

Manually clamping, without a wrench



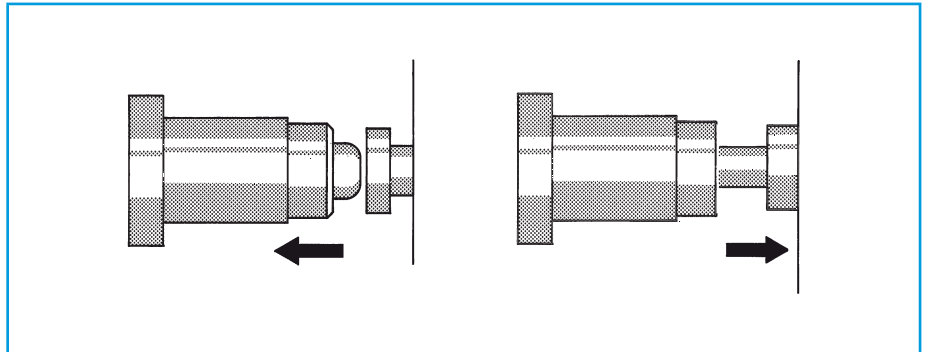
Approved method at measuring and testing mandrels, where relative low clamping pressure is required.

Manually clamping, with a wrench



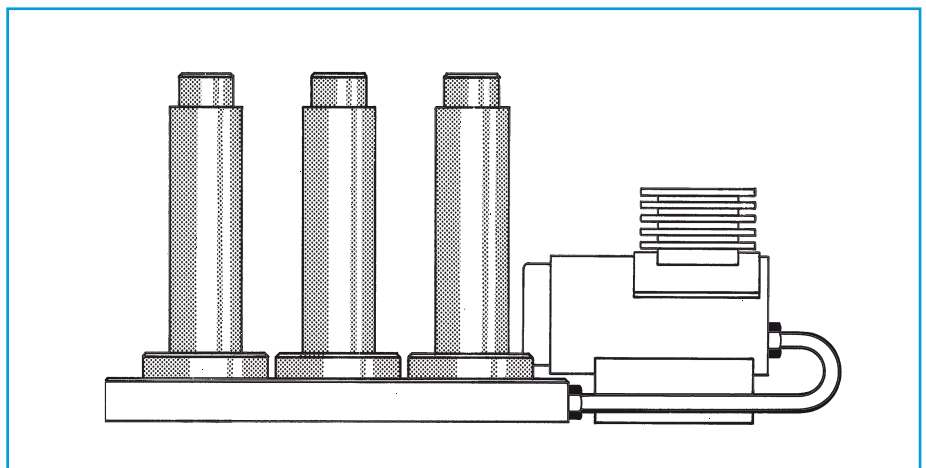
Most common process when mechanical machining requires higher clamping pressure.

Power clamping



The clamping pressure can be generated mechanically, pneumatically, hydraulically or electromagnetically by pulling or pushing the clamping piston. Therefore this process is suitable for semi or fully-automatic machine tools.

Clamping by external pressure generation



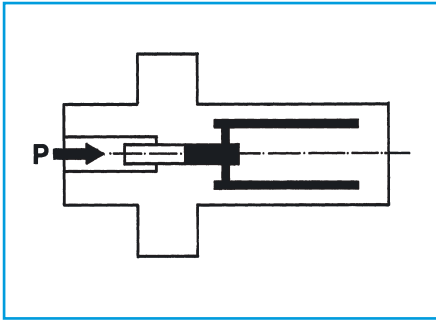
With the use of pressure pistons several Königdorn® devices can be actuated in different positions.

Königsdorn® Design Principles

Depending on machining tasks and operating conditions Königsdorn® tools can be designed in different principles.

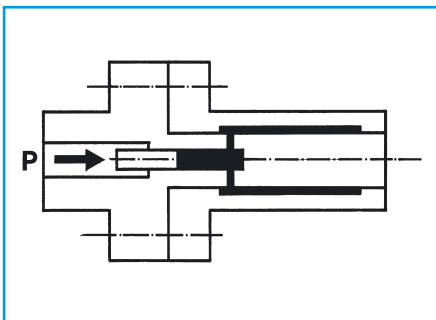
On one side they can be designed as a closed system where clamping sleeve and base are connected in a fixed manner on the other side there are open systems available where the clamping sleeve can be replaced when worn or damaged.

Closed system



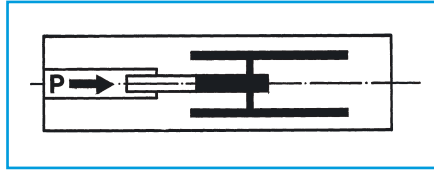
Constant connection of base and clamping sleeve.

Open system



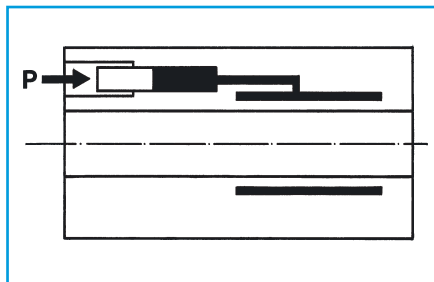
The detachable connection enables the replacement of the clamping sleeve when worn or damaged.

Central clamping force initiation



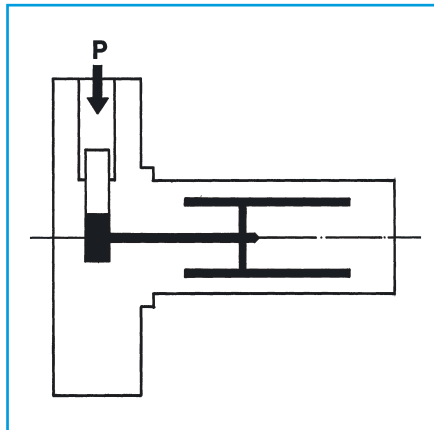
Clamping force initiation centrally from the axial center is often used with clamping mandrels.

Offset clamping force initiation



Chucks are often constructed with offset clamping force initiation (from outside the center).

Radial clamping force initiation







A radial clamping force initiation (from the outside diameter) can – according to application – be useful with both clamping mandrels as well as chucks.

This brochure introduces various applications of Königsdorn® clamping devices.

We show no measurements and technical details as the drawings are meant to stimulate the creativity of the engineer and designer.

For a better representation of functions we show graphical drawings.

Color coding for illustrations of clamping tools

-  Gray
Königsdorn® tooling
-  Blue/Light blue
Königsdorn® tooling (section)
-  Yellow
Clamping area of Königsdorn® tooling
-  Red/Light red
Workpiece (section)
-  Green/Light green
Base machine component

Hydraulic Clamping Tools

Hobbing

Workpiece clamping during hobbing

Based on its high precision and extremely small grinding stock allowance the Königsdorn® tooling as clamping mandrel or chuck is an ideal tool for hobbing.

The left drawing illustrates a clamping mandrel where the entire torque is created via radial expansion.

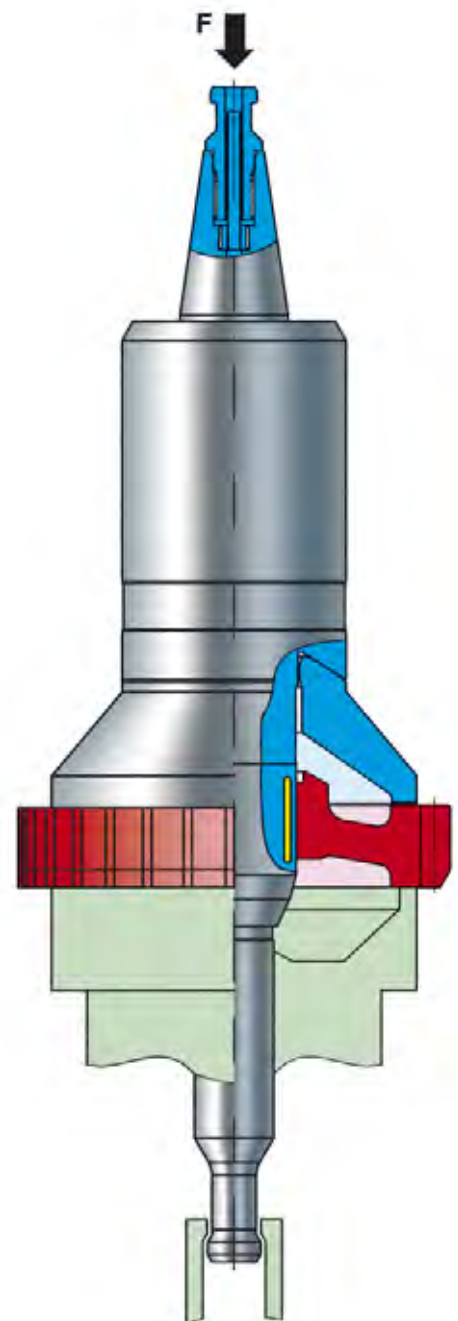
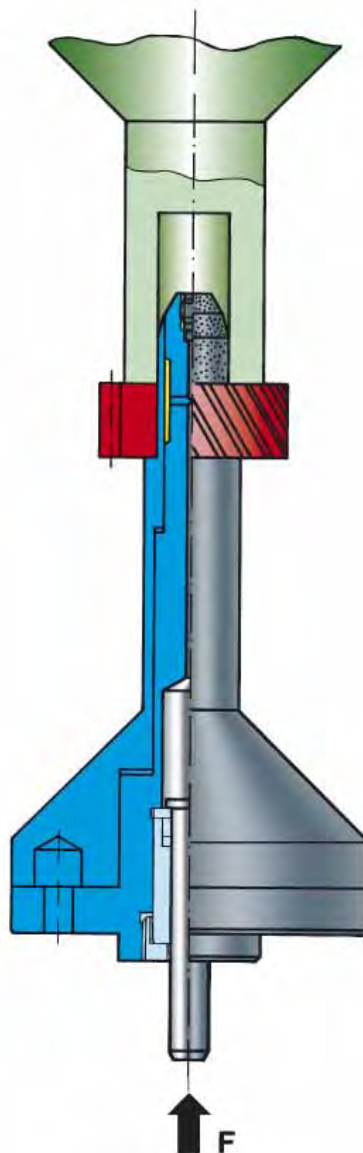
Clamping is initiated via the clamping cylinder of the machine spindle. The tailstock, which is also clamped via the clamping mandrel, only serves the purpose of stabilizing and centering the Königsdorn® device. Axial clamping is not necessary in this case.

With the help of an oil spiral groove* or a coating* on the clamping surface you can obtain high torque also with smaller clamping diameters.

The illustration downright shows a clamping mandrel with centering functions as an additional version for hobbing. Here, torque is obtained axially via a clamping bell through the draw bar. Clamping pressure is actuated via a hydraulic cylinder in the tailstock.

It is possible to obtain exact expansion with the help of a proportioning and resetting screw. The floating attachment of the backing ring will compensate for axial run-out on the workpiece.

* see more options on page 31

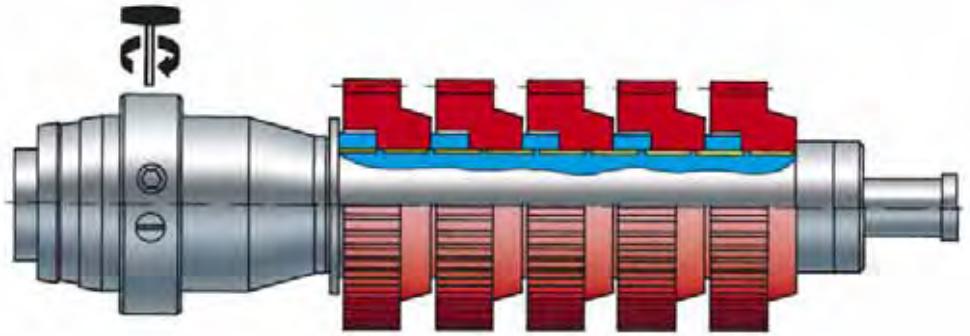


Hydraulic Clamping Tools

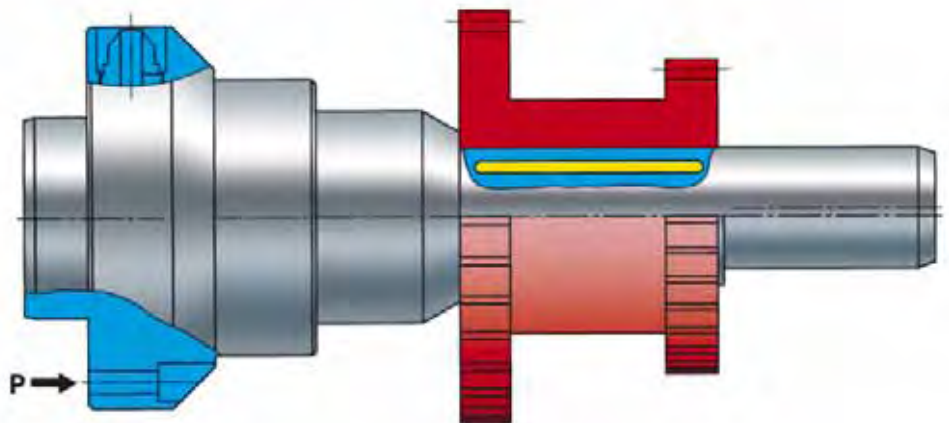
Gear Grinding

Hydraulic clamping mandrels for bore parts

The opposite drawing illustrates a clamping mandrel for clamping multiple gears during gear grinding. The gears are first aligned outside the machine in a pre-alignment station and clamped on the mandrel. Clamping pressure is initiated radially by hand or via an electrical or pneumatic screwing device. Subsequently, the prepared Königdorn® mandrel is placed into the gear grinding machine. A taper mount in the tool spindle will ensure the required run-out accuracy of 0.003 mm.



The opposite drawing illustrates a clamping mandrel for automatic workpiece loading within the machine. The Königdorn® mandrel is mounted firmly on the tool spindle and the clamping pressure is initiated via machine hydraulics. The mandrel itself has a built-in pressure transducer which generates appropriate clamping for the clamping diameter in question. A handling system places the workpiece on an eccentric lead-in situated in front of the clamping surface. The loading onto the clamping surface takes place through a sliding sleeve located on the tailstock.



An integrated operation indicator* increases the operating safety, as it allows the operator to check the state of operation and the mandrel condition.

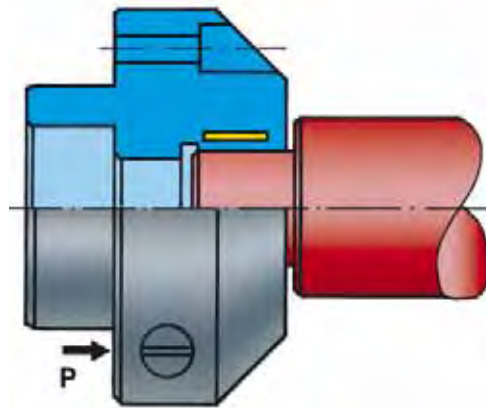
* see more options on page 31

Hydraulic Clamping Tools

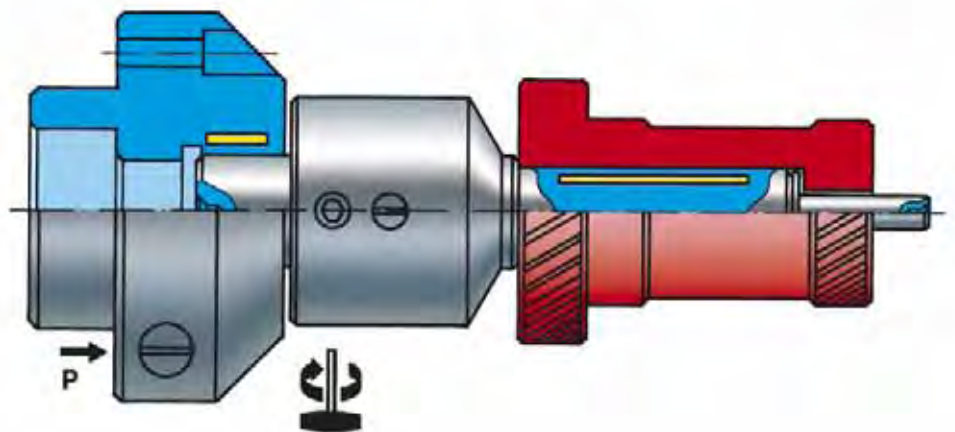
Gear Grinding

Hydraulic clamping chucks for shaft parts

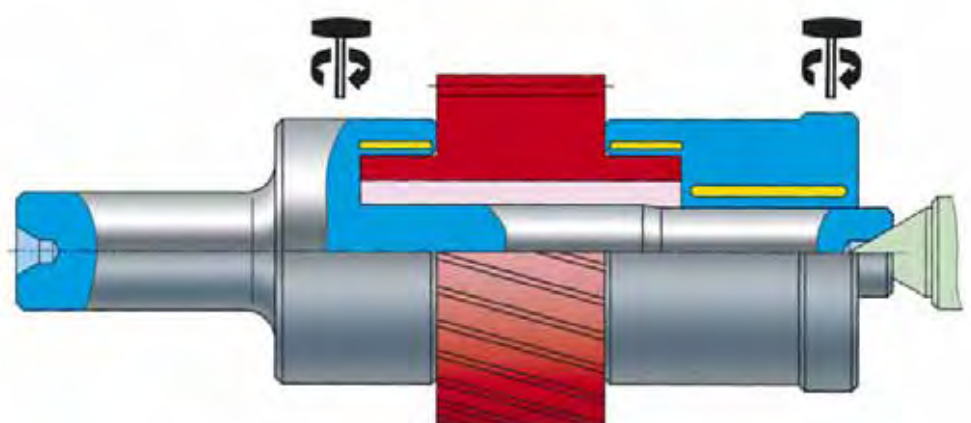
With geared shaft parts the bearing seat is frequently used as a clamping location (opposite drawing). The workpieces are manually placed on a study rest. The workpiece is loaded via a headstock sleeve and the tailstock center. The clamping force is generated via axially initiated hydraulic pressure. A pressure transducer in the chuck guarantees the necessary clamping pressure.



A frequent application during gear grinding is the mandrel-chuck clamping alternative. The hydraulic clamping mandrel, which has been prepared and clamped with the workpiece outside the machine, is placed on prisms in the machine and loaded between centers (opposite drawing). Clamping pressure is initiated via machine hydraulics.



A special application is the clamping of a pinion with two shaft stubs which are simultaneously used as bearing seats (opposite drawing). Two independent clamping cycles are manually actuated. The entire mandrel with workpiece will then again be clamped in the chuck of the machine.



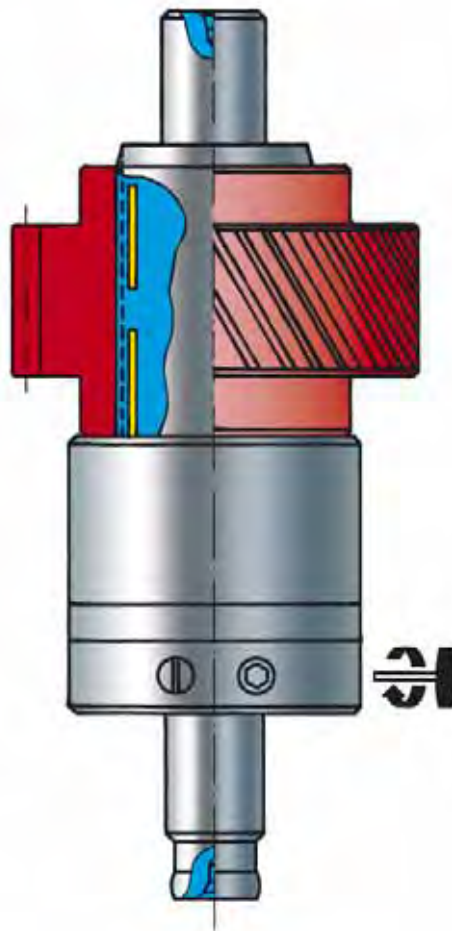
Hydraulic Clamping Tools

Gear Grinding

Hydraulic clamping mandrels for workpieces with geared and smooth bore

Königsdorn® mandrel with two clamping locations and externally geared clamping bushing for the mounting of workpieces to be ground as a helical gear (opposite drawing).

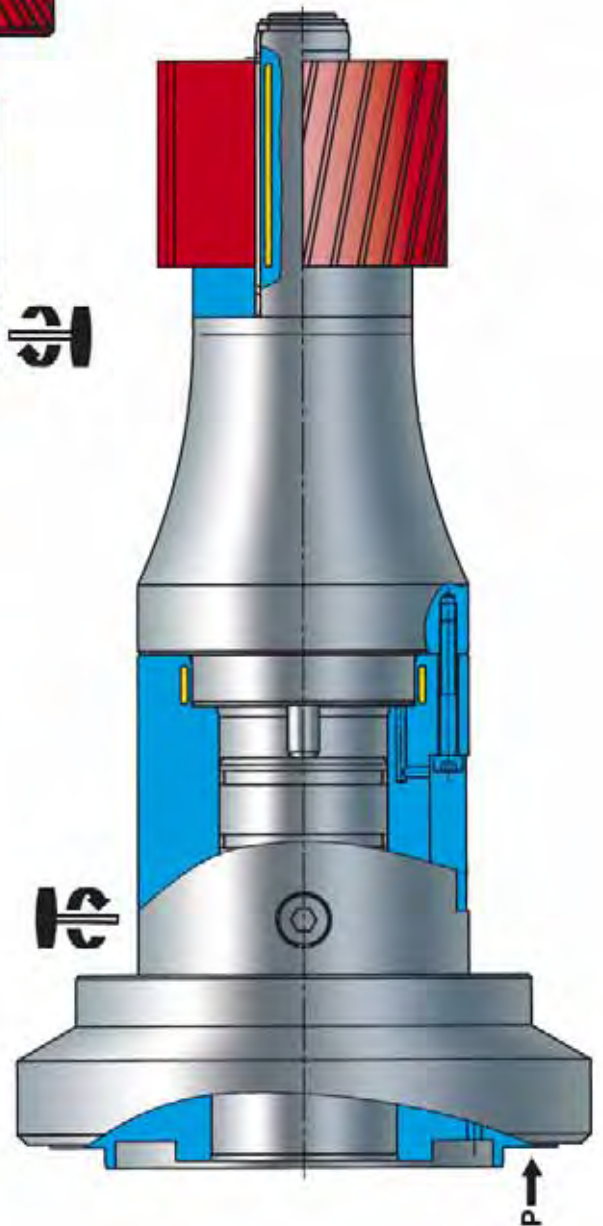
Through both clamping locations optimal centering is achieved on the entire workpiece length. Mounting between center and collet chuck, initiation of clamping force is radial by hand. Run-out accuracy: 0.005 mm.



Hydraulic clamping mandrel, mounted on a quick change chuck with integrated pressure transducer (opposite drawing). Centering of the clamping mandrel takes place via a clamping bushing in the base adaptor.

Clamping pressure is initiated radially by hand. The clamping mandrel is clamped via machine hydraulics.

Various workpiece diameters can be clamped on the mandrel via slotted intermediate bushings. Run-out accuracy: 0.003 mm.

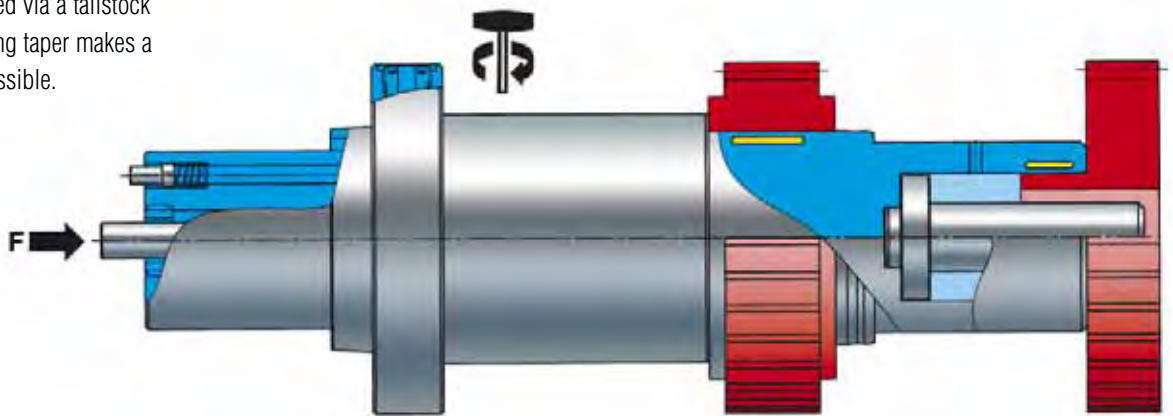


Hydraulic Clamping Tools

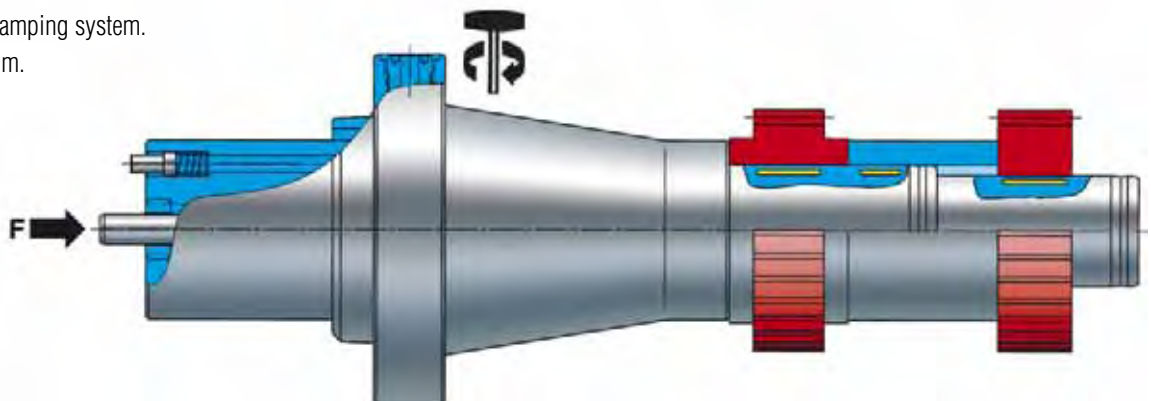
Gear Grinding

Workpiece and diamond dressing wheel clamping on one Königdorn®

Workpiece and diamond dressing wheel clamping on one Königdorn® device. With this combination Königdorn® mandrel and chuck, a hollow shank shaft and the diamond dressing wheel are simultaneously clamped. If desired, the mandrel can be braced via a tailstock center. A special mounting taper makes a run-out of 0.003 mm possible.



Hydraulic Königdorn® device for mounting workpiece, workpiece stop, and diamond dressing wheel. Dressing wheel and workpiece stop are clamped manually. Workpiece clamping takes place via the piston rod of the machine hydraulics. An additional mechanical clamping pressure control increases the operational safety of this clamping system. Run-out accuracy: 0.003 mm.

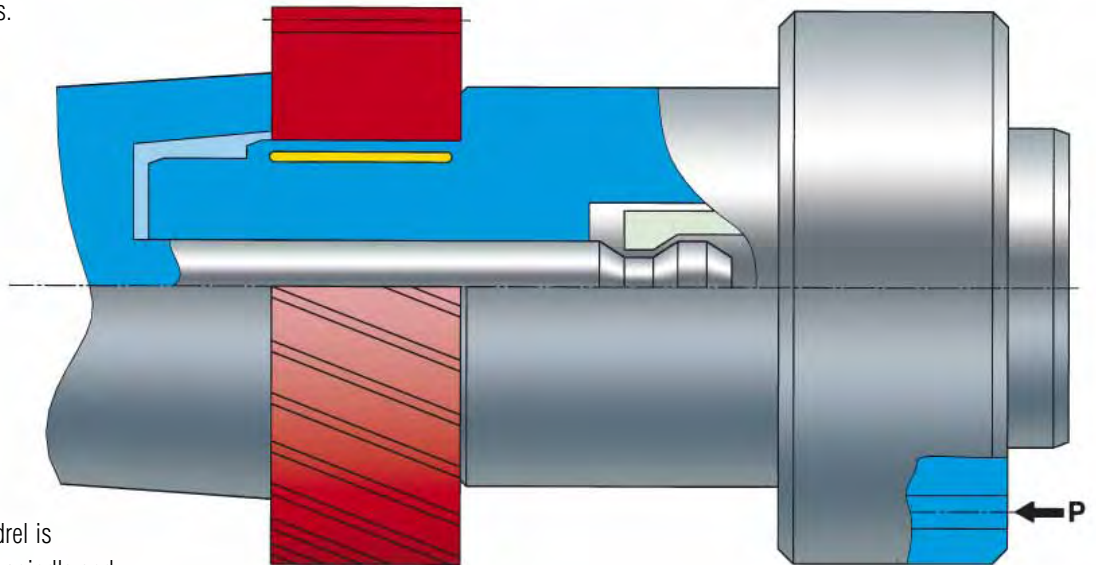


Hydraulic Clamping Tools

Coronieren® (Coronating)

Workpiece clamping for Coronating

The high machining forces of Coronating impose extreme requirements on the clamping devices. Due to the high run-out precision, the enormous achievable torque and optimal stability Königsdorn® tools are particularly suitable for this machining process.



In this example the clamping mandrel is directly mounted on the workpiece spindle and is actuated via machine hydraulics.

The built-in pressure transducer generates the necessary clamping pressure. In addition, the workpiece is pressed against a coated contact ring via an axial clamping device in order to achieve the required torque.

Run-out accuracy: 0.003 mm. An integrated operation indicator** increases the operating safety of machine and Königsdorn® tooling.

* *Coronieren® is a registered trade mark of KAPP GmbH.*

** *see more options on page 31*

Hydraulic Clamping Tools

Honing

Workpiece adapter and device in the honing wheel support

For finish machining of gears, it is important that the gears are mounted and centered exactly. Königsdorn® mandrels are superbly suited to fulfill this requirement.

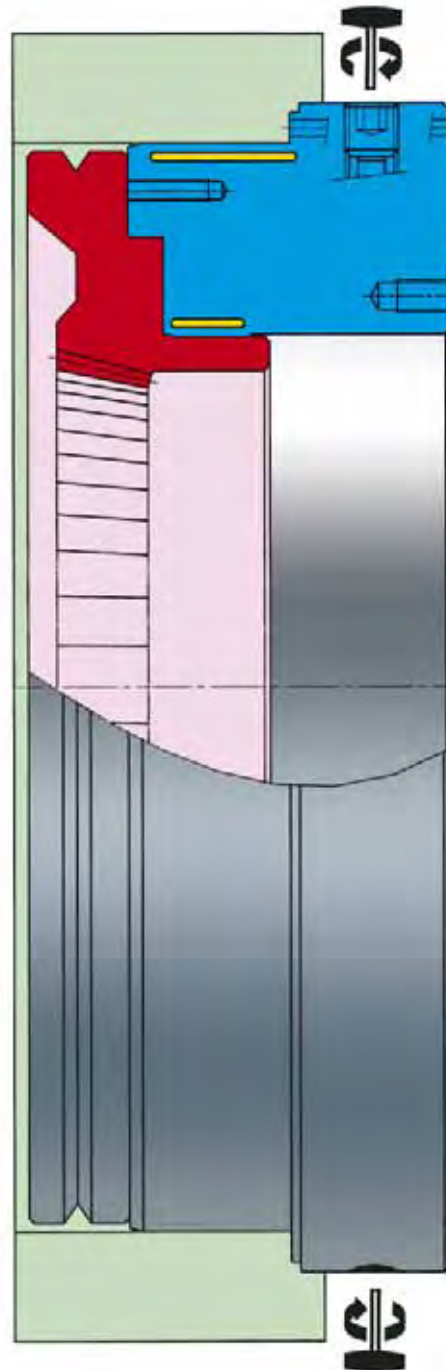
In this example, the complete clamping mandrel is installed in the honing wheel support and clamped with a hydraulic expanding chamber.

Reconfiguration for new workpieces can be accomplished without great loss of time. The workpiece is clamped via a second clamping chamber.

Since the clamping location on the workpiece is very thin-walled, the clamping pressure of the workpiece clamping is regulated via a pressure reception sensor.

The entire device as well as the workpiece can be clamped independently of each other through two separate clamping cycles which are manually actuated.

Run-out accuracy: 0.005 mm.

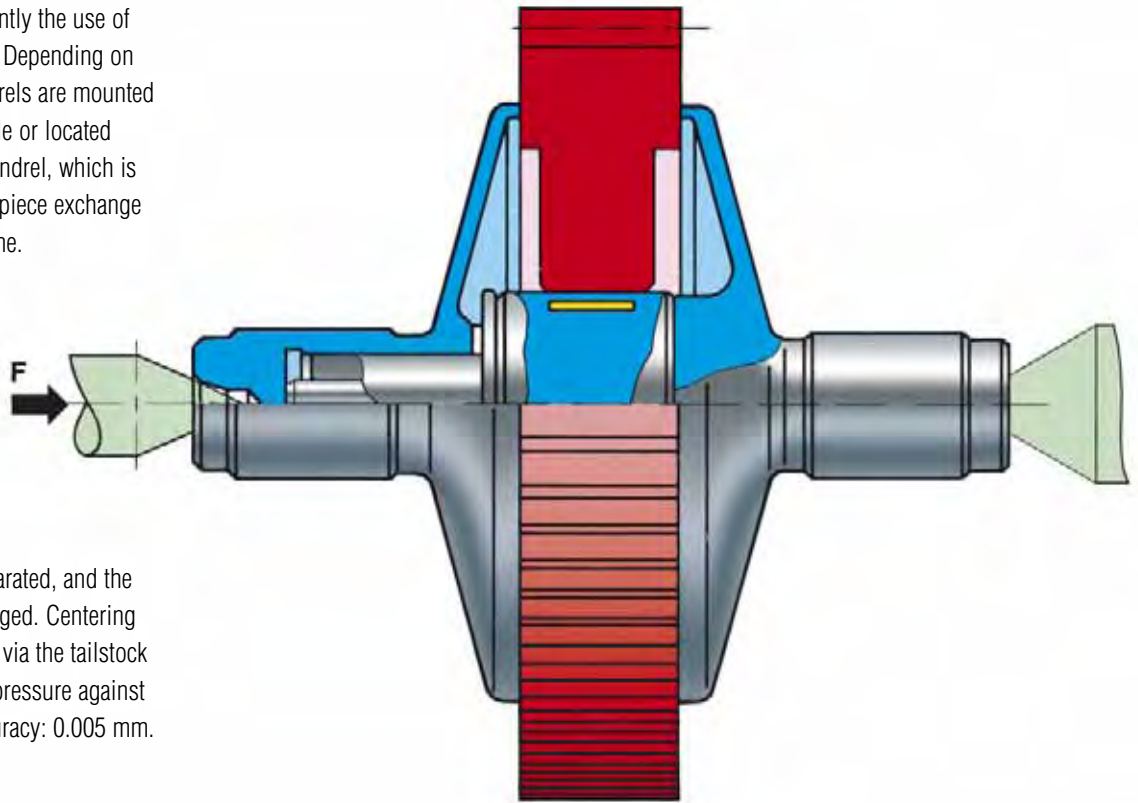


Hydraulic Clamping Tools

Gear Shaving

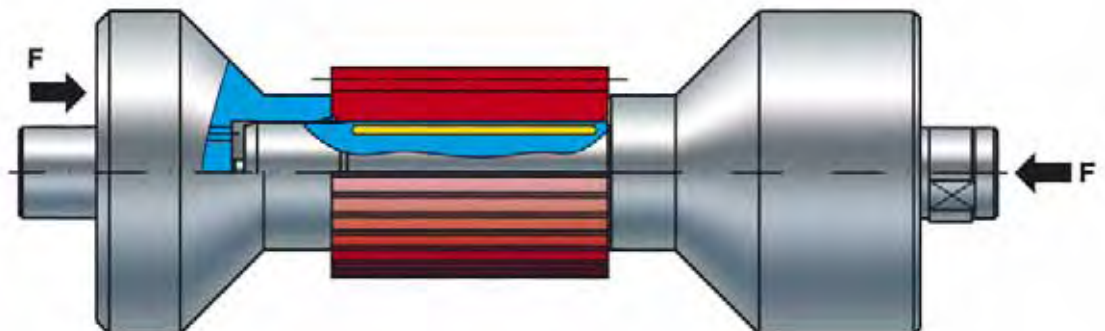
Workpiece adapters for gear shaving

Increased quality standards for shaved gears require more and more frequently the use of hydraulic clamping mandrels. Depending on the machine type, these mandrels are mounted firmly on the workpiece spindle or located between centers. With this mandrel, which is located between centers, workpiece exchange takes place outside the machine.



Both clamping halves are separated, and the workpiece can then be exchanged. Centering of the workpiece is performed via the tailstock center by simultaneous axial pressure against the contact face. Run-out accuracy: 0.005 mm.

Machines with automatic loading have both halves of the clamping mandrel mounted on the workpiece spindle. During positioning, the workpiece is set without backlash and clamped axially at the same time. Run-out accuracy: 0.003 mm.



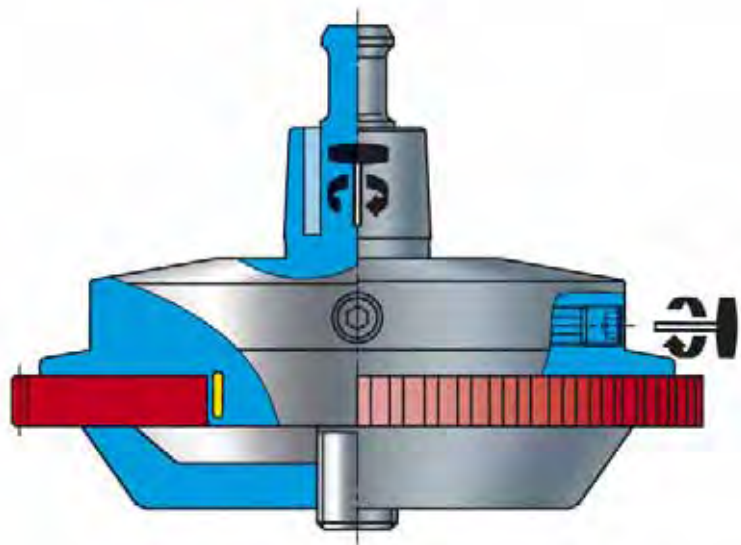
Hydraulic Clamping Tools

Gear Shaping

Tool clamping for gear shaping

The opposite drawing shows a Königdorn® mandrel which is used during gear shaping applications with radial and axial hydraulics. The shaper cutter is centered with high precision via the clamping bushing. Run-out accuracy: 0.003 mm.

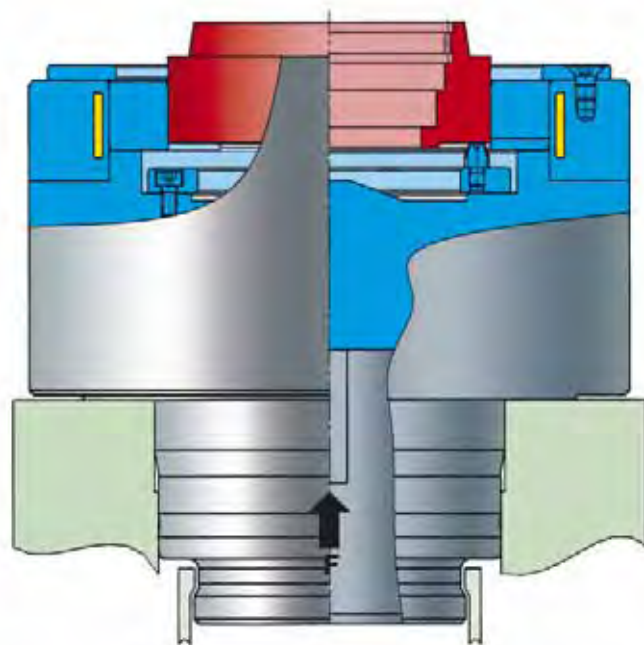
The shaper cutter is clamped with great force through the separate axial hydraulic system. A special taper is used to precisely locate the shaper cutter in the machine spindle. These large shaper cutter fixtures are generally used for external gears.



Workpiece clamping for gear shaping

This example shows a Königdorn® chuck mounted on the machine table of a Liebherr gear shaping machine.

Clamping is actuated through the hydraulic function of the clamping cylinder. By using intermediate bushings, a diameter range of approximately 15-35 mm can be covered. The workpieces are clamped with greatest run-out accuracy (0.005 mm). Automatic loading is possible.

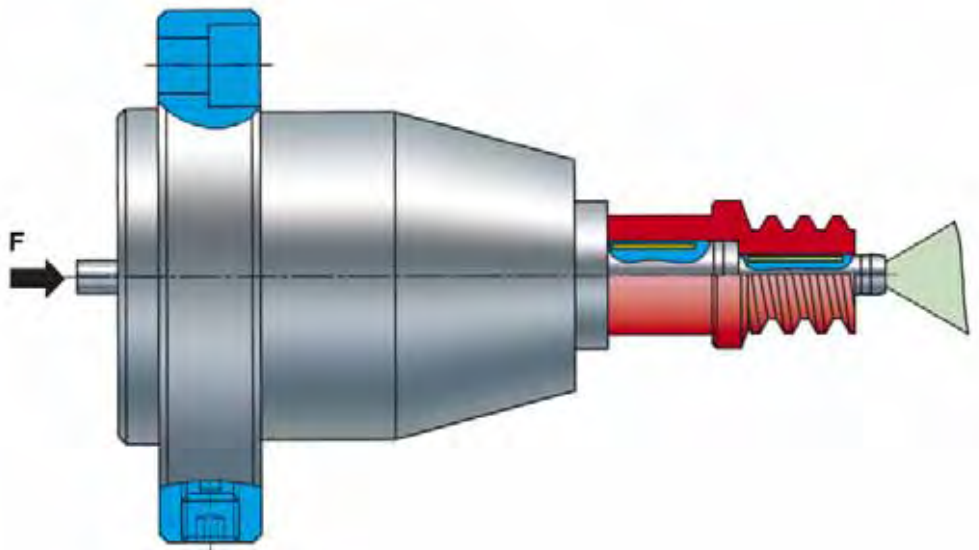


Hydraulic Clamping Tools

Worm and Rotor Grinding

Hydraulic mandrels and chucks for worm and rotor grinding

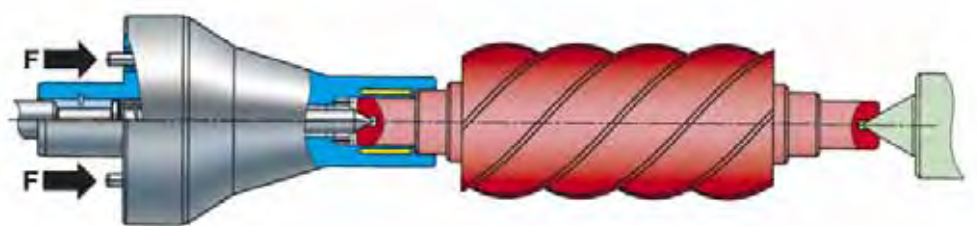
During this application of a clamping mandrel for worm grinding, a worm with two different internal diameters is clamped on a flanged mandrel. The clamping mandrel, which is firmly mounted on the machine spindle, is clamped via the clamping cylinder of the machine. Automatic loading of workpieces is possible.



The opposite Königsdorn® mandrel is loaded outside the machine. Automatic clamping by means of an electrical or pneumatic screwing device is also possible here. The clamping mandrel is clamped on the shaft in a chuck and supported via the tailstock center. Run-out accuracy: 0.003 mm.



Chuck for grinding of rotors for compressed air as well as refrigeration technology. The chuck is mounted on the machine spindle via an intermediate flange which is configured as a hydraulic chuck. The pressure pistons are actuated and the necessary clamping pressure is generated via pressure rods integrated into the intermediate flange. A spring-loaded locating center allows the automatic exchange of workpieces. The rotors are supported via the tailstock center. Workpiece exchange as well as workpiece clamping are monitored via an air inlet control device.

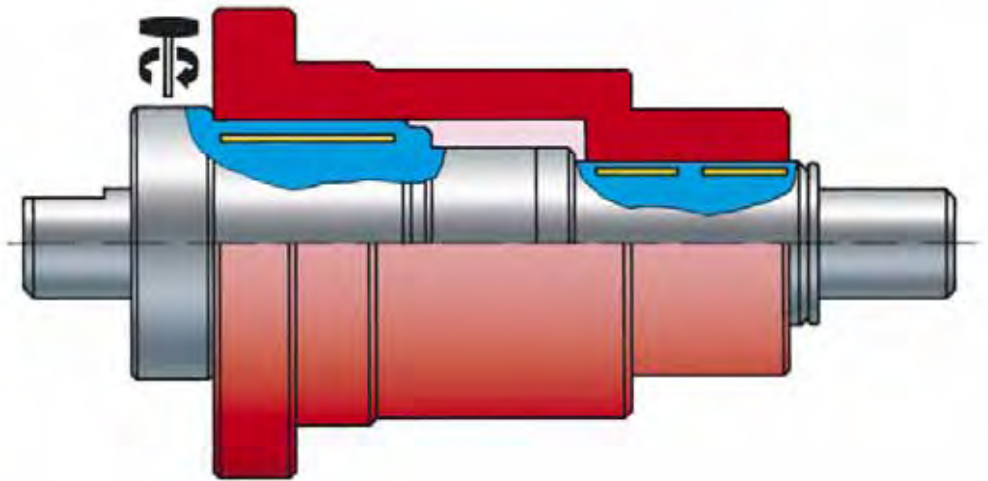


Hydraulic Clamping Tools

Cylindrical Grinding

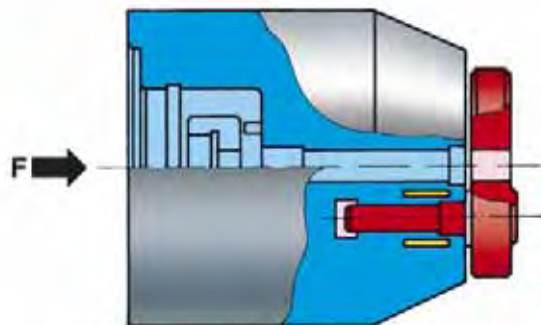
Workpiece internal clamping for external machining

This Königsdorn® mandrel was developed for external cylindrical grinding tasks on oblique recess grinding machines permitting the treatment of all flat and radial surfaces.



Workpiece external clamping for internal machining

For grinding the middle bore of a piston rod, the workpiece is clamped on the eccentrically located mandrel peg. Clamping pressure is initiated via machine hydraulics. Run-out accuracy: 0.003 mm.

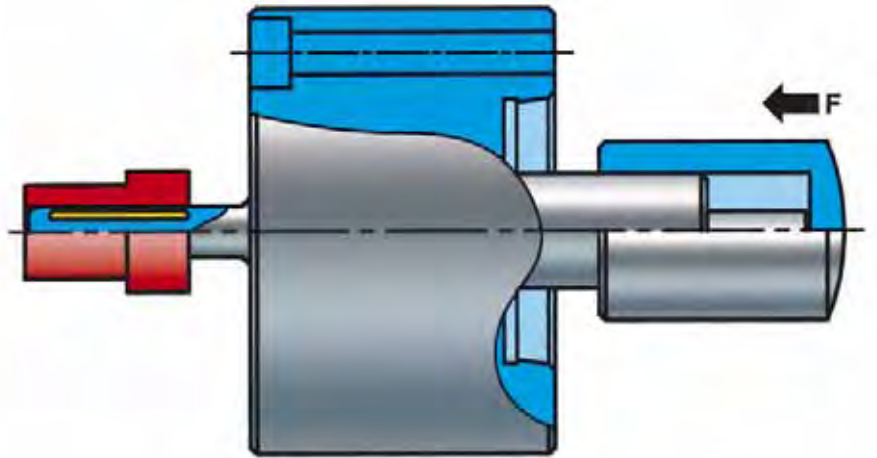


Hydraulic Clamping Tools

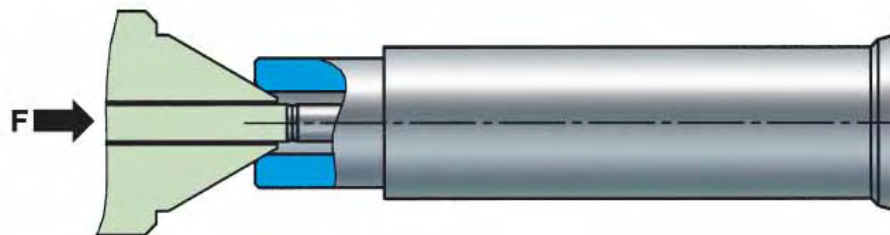
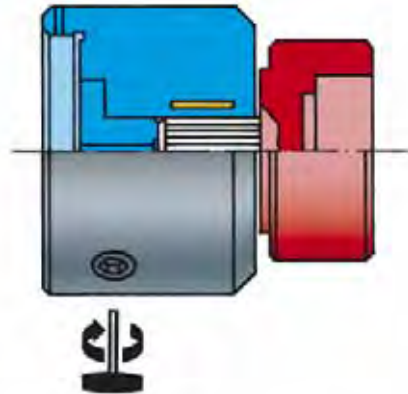
Turning

Workpiece clamping for rough turning

This Königsdorn® mandrel for surfacing hardened workpieces with high axial run-out accuracy, is flanged on a lathe and automatically actuated by means of a pneumatic cylinder.



Königsdorn® chuck for the clamping of workpieces with external gear. Clamping on the addendum circle. Turning on the outside diameter and on two inside diameters as well as on the flat surface of the workpiece. Clamping is initiated radially by hand. Run-out accuracy: 0.003 mm.



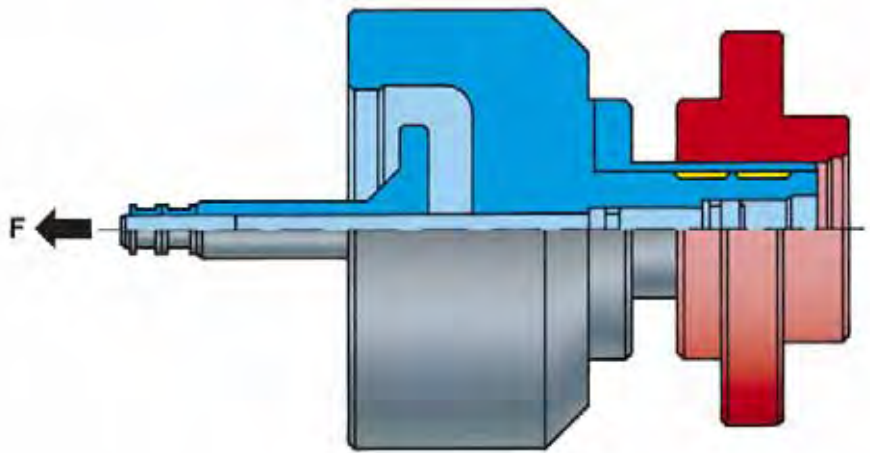
Hydraulic Clamping Tools

Turning

Clamping mandrels with expansion rates up to 1 % of the diameter

Königdorn® mandrel for clamping a workpiece where the external contour is to be machined by turning on all sides.

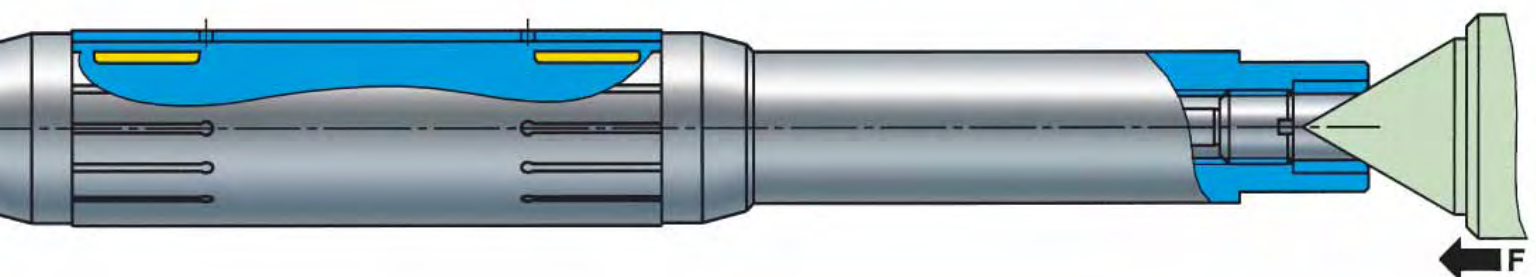
Radial clamping via two clamping chambers, axial positioning through positioning pins which are retracted upon initiation of the clamping force via machine hydraulics.



Königdorn® mandrel with highly elastic expanding bushing for expansion rates up to 1 %. In addition, slotted steel bushing to protect against wear and loss of accuracy during serial production.

The expanding mandrel is used for the turning of electrical motors (stators) and is located between centers in the machine. Clamping is performed with the clamping cylinder of the machine through a hollow point.

Run-out accuracy: 0.010 mm.



Hydraulic Clamping Tools

Hobbing/Boring

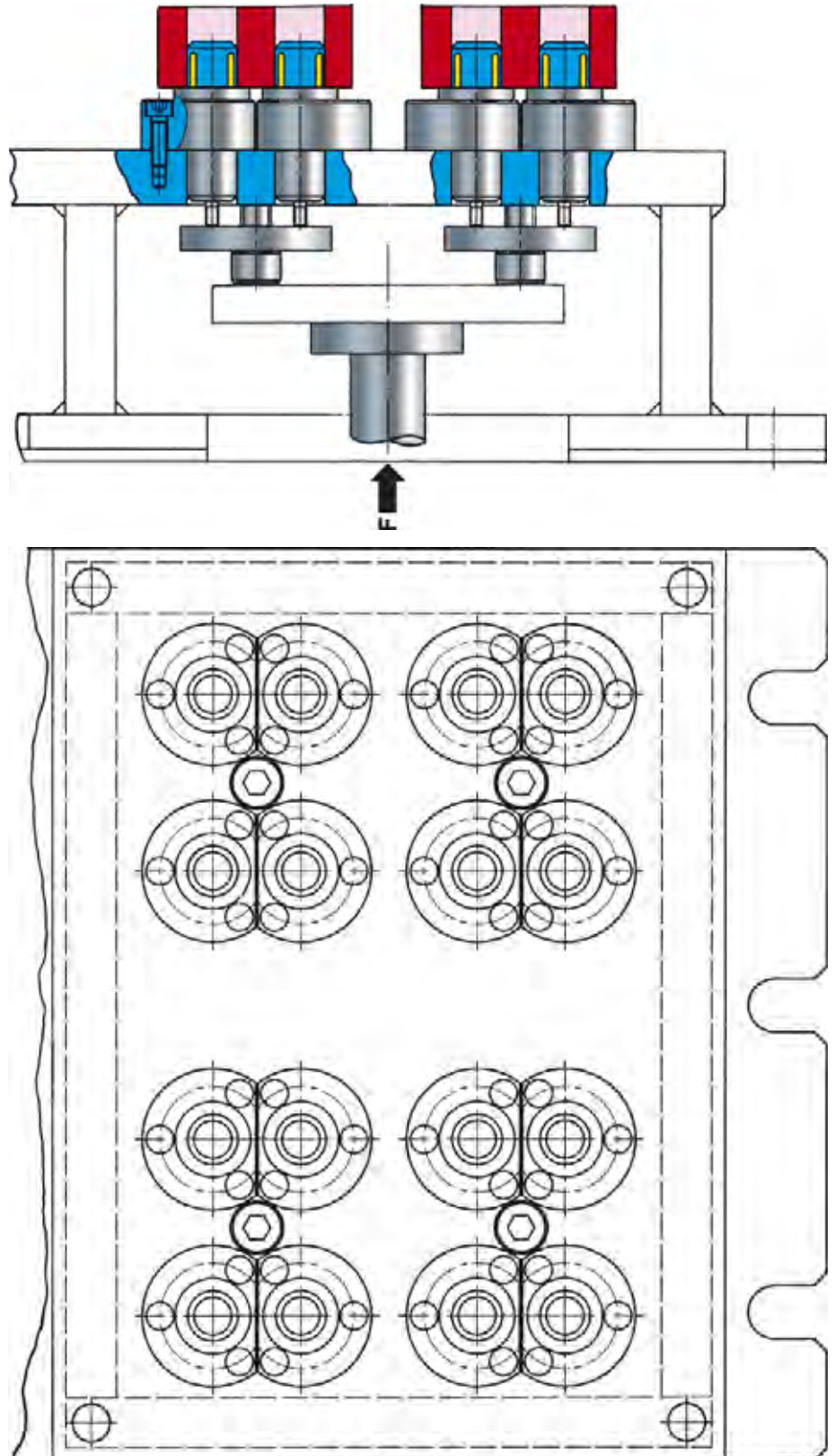
Multiple clamping device for vertical machining center

The workpieces are mounted in 2 bores without backlash and clamped.

8 workpieces are clamped in one cycle by means of a central clamping cylinder.

The flat surfaces of the workpieces are hobbled at right angles. In addition, a kidney-shaped slot is cut true to the position of the two bores.

This clamping device guarantees very exact position tolerances.



Hydraulic Clamping Tools

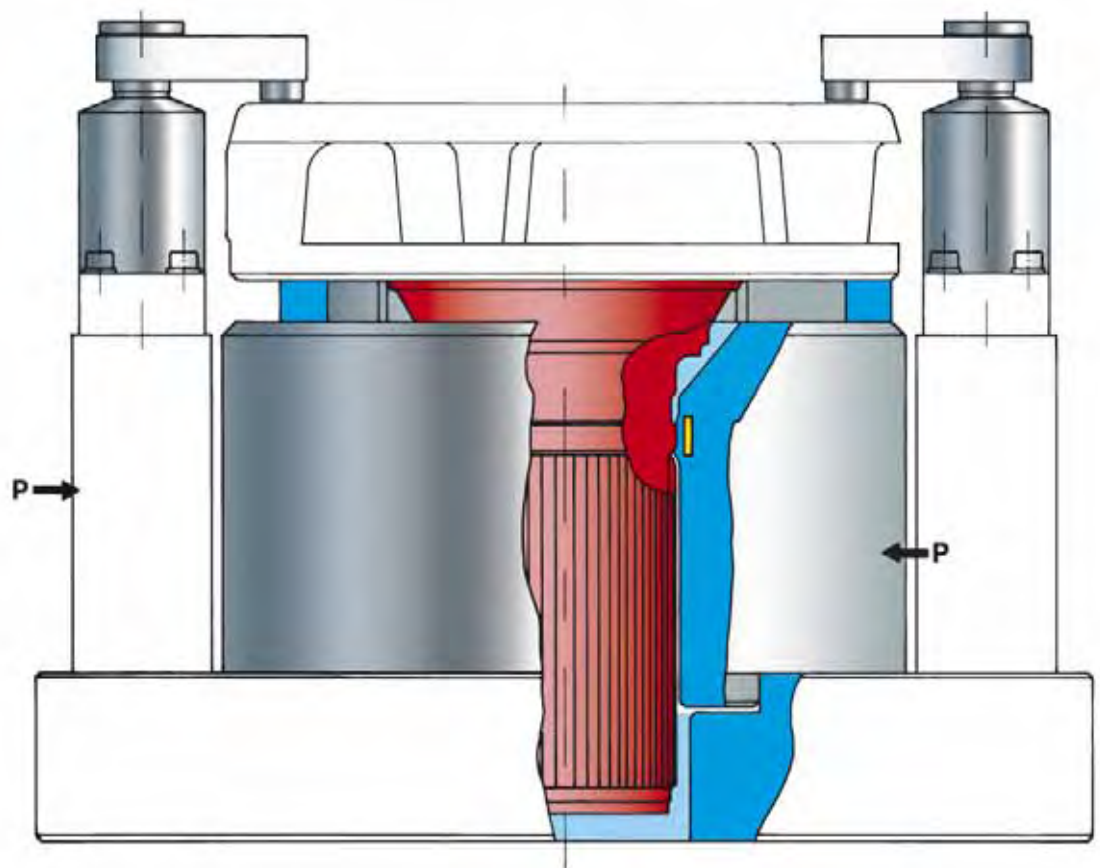
Boring, Hobbing and Spindling

Combined centering and clamping device for planetary wheel supports

Königdorn® device on a high-precision vertical machining center for boring and spindling of a planetary wheel support.

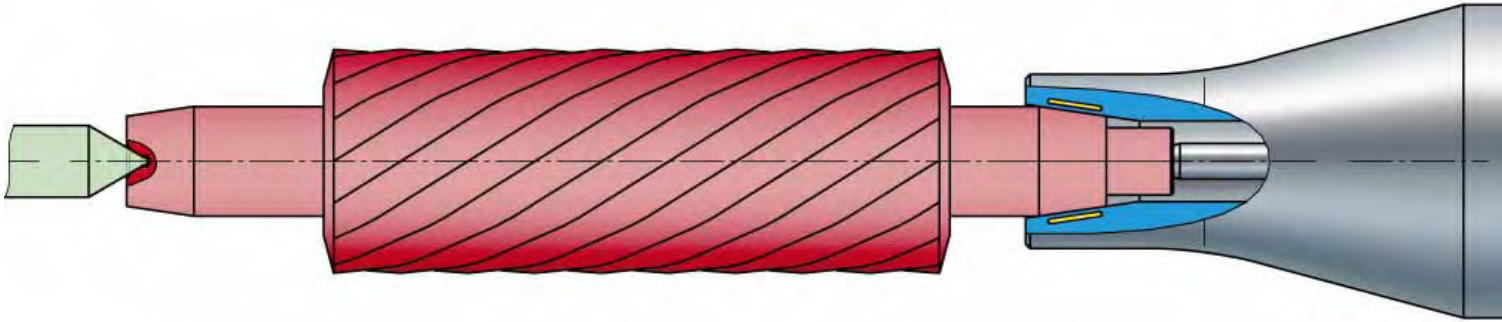
The workpiece is centered in the Königdorn® chuck by means of a sizing diameter and clamped via 2 hydraulic swivel clamping elements.

Via a tracing device, the planetary wheel support is aligned after the bore has been pre-machined.



Hydraulic Clamping Tools

Tool Grinding



Königsdorn® chuck for use on tool grinding machines

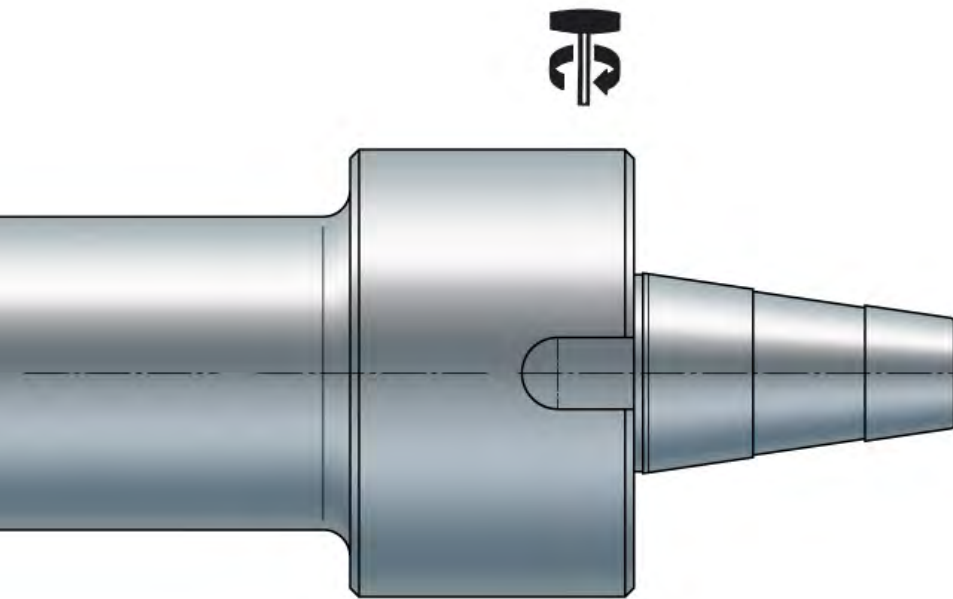
The drawing above shows the example of a hydraulic chuck for clamping of a waver hob with tapers on the end.

The operational area is the manufacturing, grinding and sharpening of this hob profile on high-precise tool grinding machines.

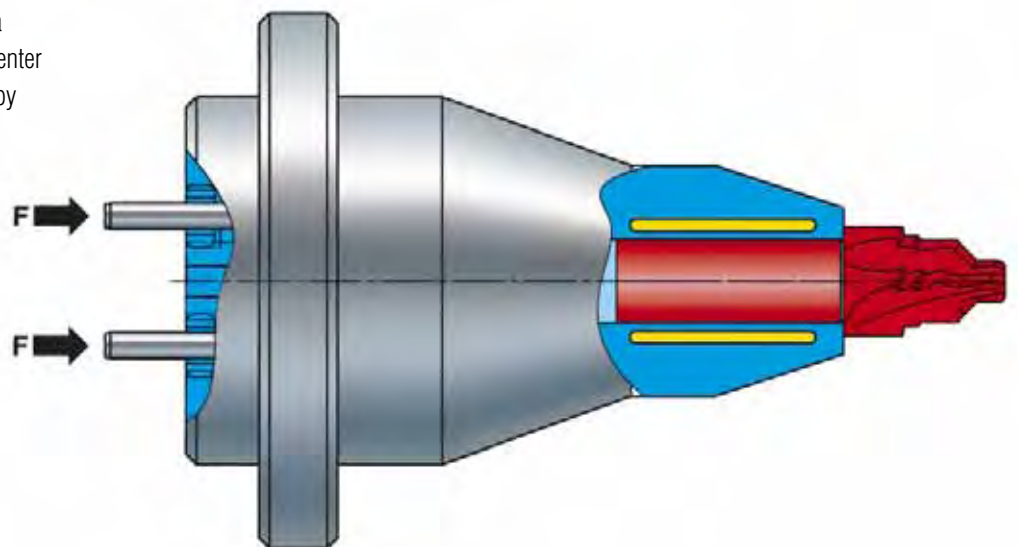
The clamping pressure is actuated by axial pushing of the waver hob by the tailstock of the machine.

Beside the clamping function, the hydraulic expanding process equalizes the angle tolerances.

An integrated ejector allows a more ergonomic tooling set-up. Run-out accuracy: 0.003 mm.



Automatic chuck for grinding and sharpening tools. The chuck is used on CNC tool grinding machines with automatic loading. The cylinder is clamped with two pistons. In addition, a cleaning device can be connected in the center so the Königdorn® chuck can be flushed by air or coolant after each machining cycle.

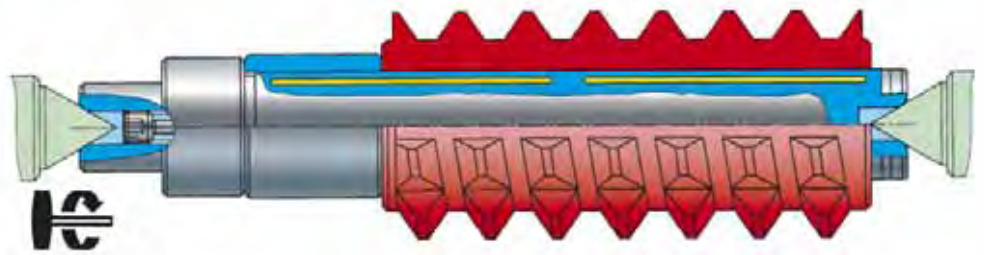


Hydraulic Clamping Tools

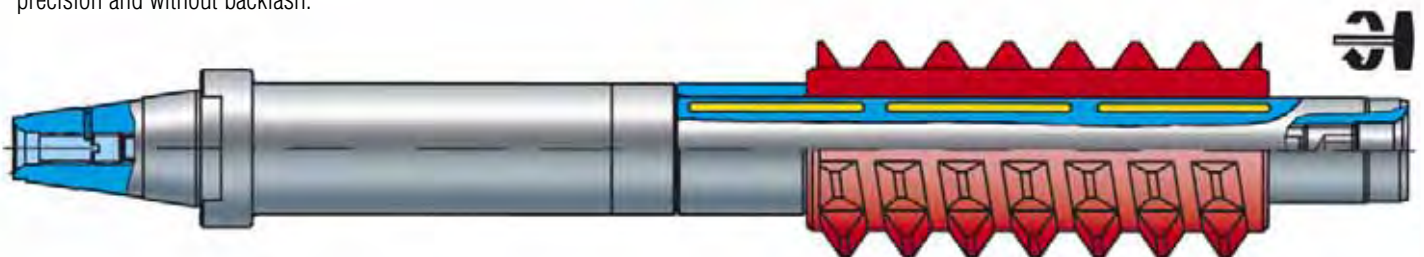
Tool Production and Tool Sharpening

Königdorn® devices for hob manufacturing

Hobs are clamped manually on a Königdorn® mandrel and located between centers in various machines. This system is used during hob manufacturing, during grinding, relief-grinding, sharpening, and inspection. Run-out accuracy: 0.002 mm.



Königdorn® mandrel for grinding and sharpening hobs on a Klingelnberg grinding machine. The hob is clamped with high precision and without backlash.



Clamping is actuated axially by hand. Run-out accuracy: up to 0.003 mm.

Hydraulic Clamping Tools

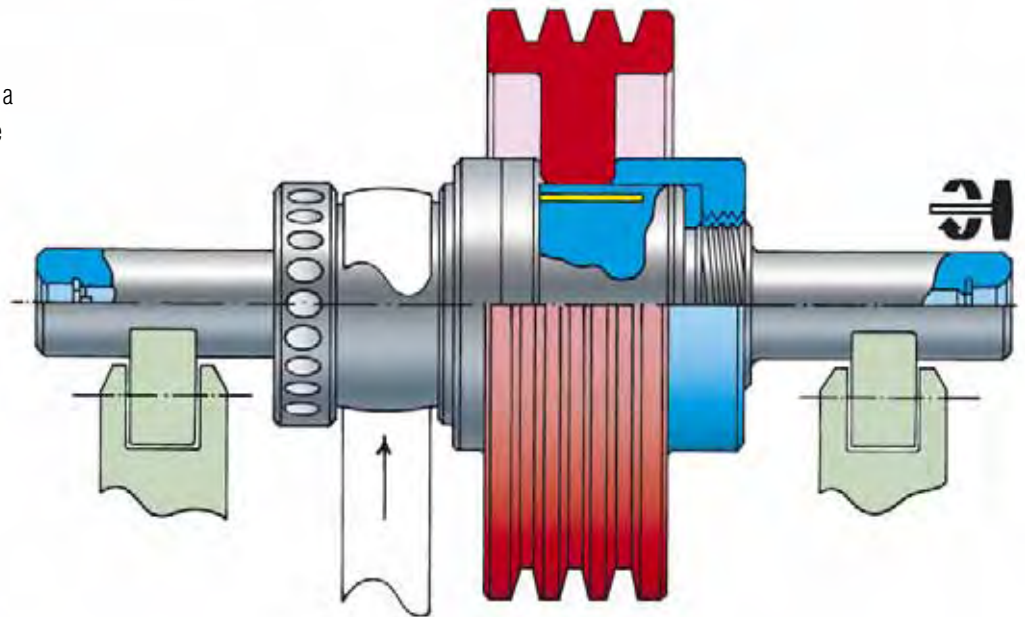
Balancing

Workpiece clamping on Königsdorn® devices for balancing

In order to keep the weight as low as possible, Königsdorn® devices for dynamic balancing can be manufactured from aluminum with steel clamping bushings upon request.

The system illustrated on the right is belt driven. In addition to radial clamping via a threaded ring, which is also clamped, the pulley to be balanced is pressed in a flat position.

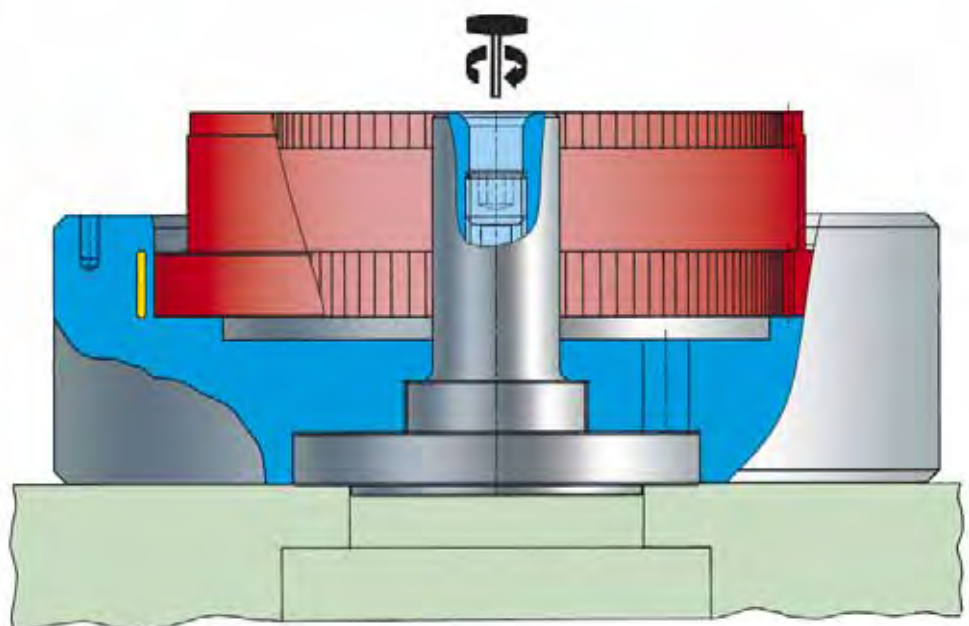
The mandrel is located on pulley blocks and is balanced by screwing in threaded pins. The clamping force is initiated axially by hand. Run-out accuracy: 0.003 mm.



The Königsdorn® chuck is mounted on the drive of a balancing machine via a reducing flange.

Clamping is performed axially by hand. The workpiece is located backlashfree with high run-out accuracy. For weight reasons, the base of the chuck is made of aluminum and the clamping bushing and the threaded flange of tool steel.

With Königsdorn® devices, even thin-walled and unstable workpieces can be clamped concentrically and with high run-out accuracy.



Hydraulic Clamping Tools

Testing

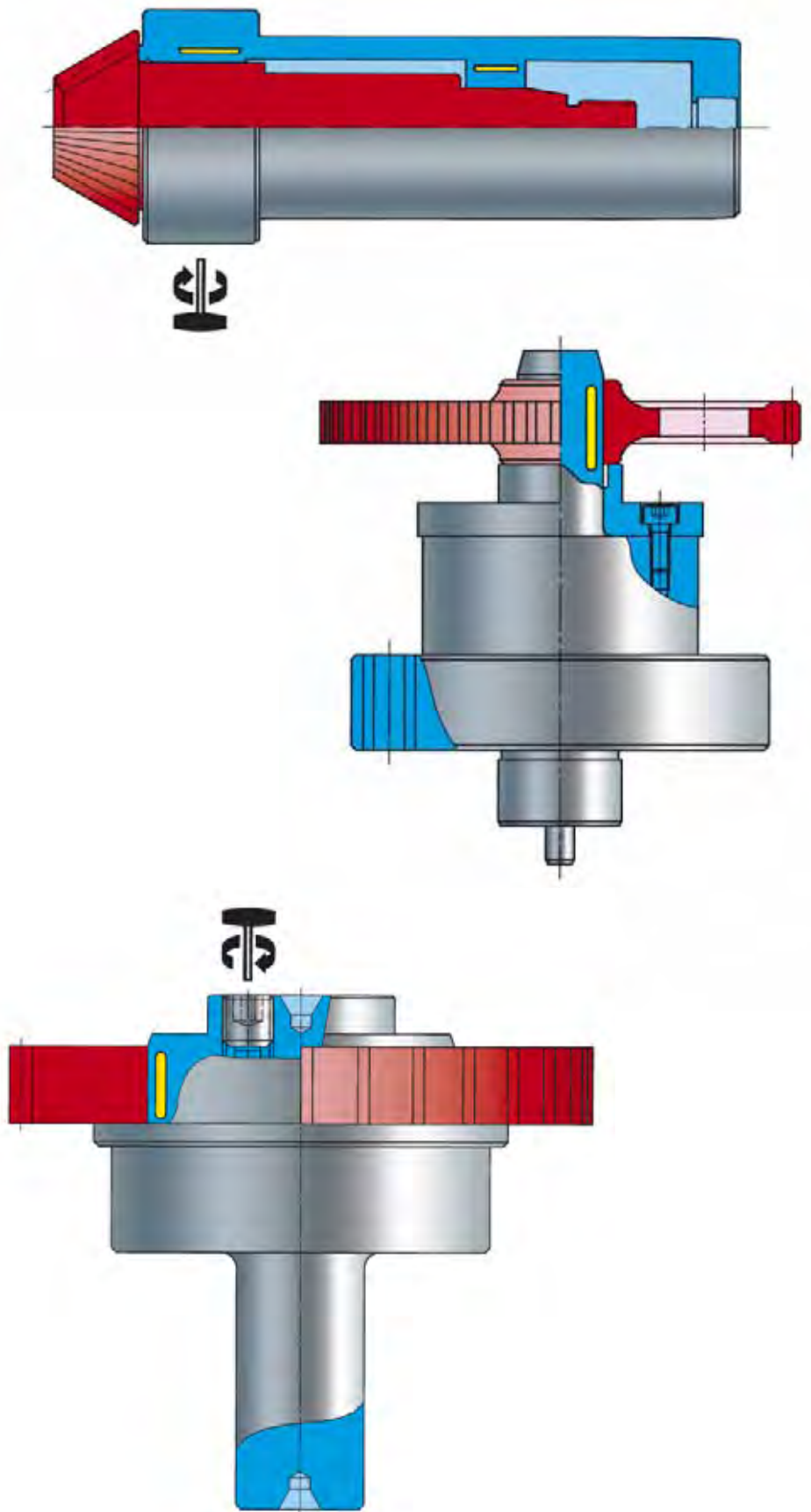
Königsdorn® chucks and mandrels on gear measuring machines

Due to the high-precision manufacture of Königsdorn® mandrels, they can also be used as measuring device. The example on the right shows the measuring of a Klingelnberg gear on a taper drive which is clamped at 2 locations and can thus achieve a run-out accuracy of up to 0.002 mm. The chuck is open toward the back in order to let the air cushion escape when positioning the workpiece. The clamping force is initiated radially by hand.

Königsdorn® mandrel for measuring an external gear on an automatic tooth profile measuring machine (middle). The mandrel is flanged on the machine and is clamped automatically by means of a pneumatic cylinder. Automatic workpiece loading is possible. Run-out accuracy: 0.003 mm.

Königsdorn® mandrel for measuring the external gear of a tooth profile measuring machine. The mandrel is located between centers in the measuring machine.

Clamping is performed axially by hand. The mandrel is made of light metal, resulting in great weight savings. Clamping bushings and centers are made of highly wear-resistant tool steel. Run-out accuracy: 0.003 mm.



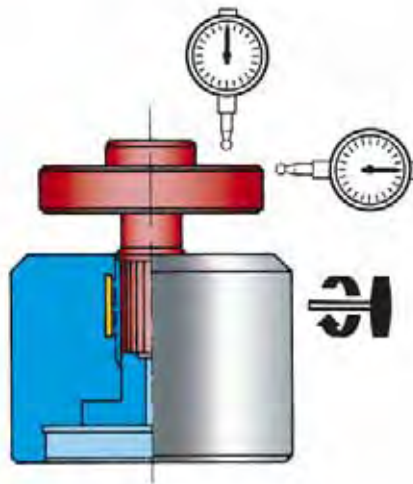
Hydraulic Clamping Tools

Testing

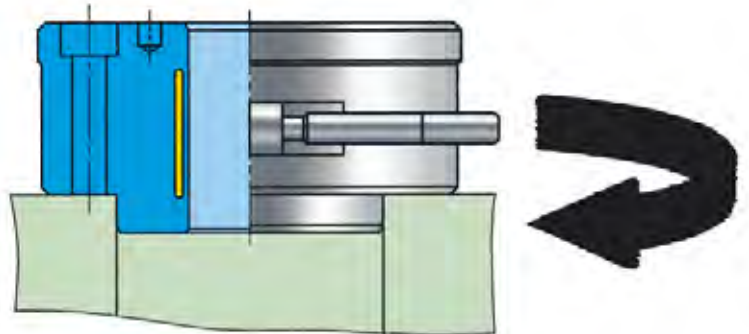
Königdorn® chucks on testing devices and measuring machines

Königdorn® measuring device with internal helical gear ground into the clamping bushing.

The workpiece is measured on the radial and flat surfaces. The clamping force is initiated radially by hand.



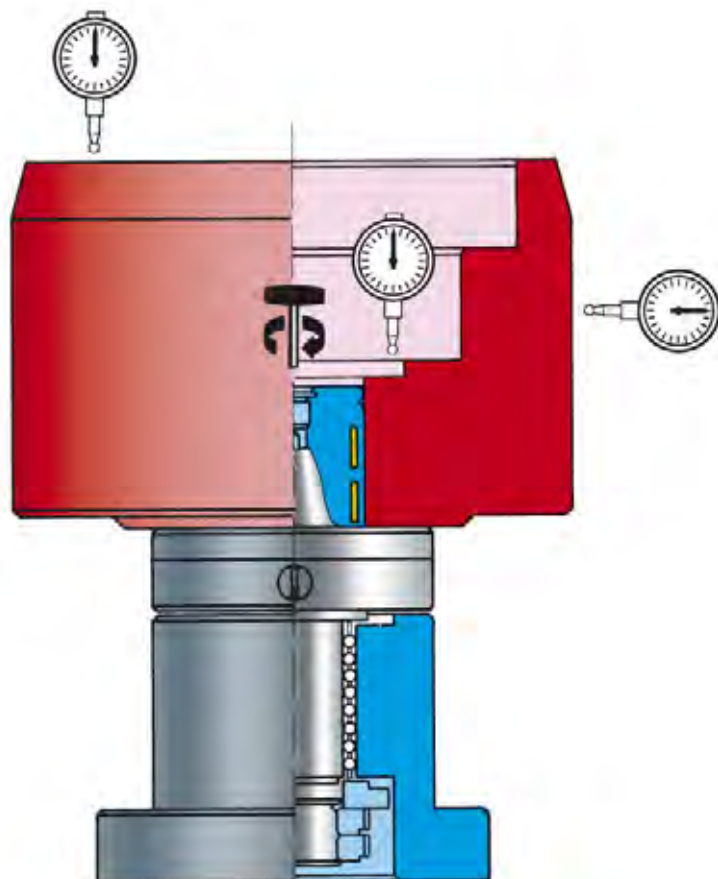
Use of a Königdorn® chuck as base chuck on a tooth profile measuring machine. Centering points for measuring gears and various accessories are clamped into this chuck on mandrels between centers. This base chuck has a run-out accuracy of 0.001-0.002 mm and is clamped manually with a lever. This clamping mechanism guarantees simple and very fast operation.



Königdorn® measuring device for mounting heavy workpieces with 2 clamping chambers in the mandrel on a clamping surface.

The mandrel rests in a revolving ball cage which permits a run-out accuracy of 0.005 mm.

The clamping force is initiated axially by hand. Measuring of all machined radial and flat surfaces is possible.



Hydraulic Clamping Tools

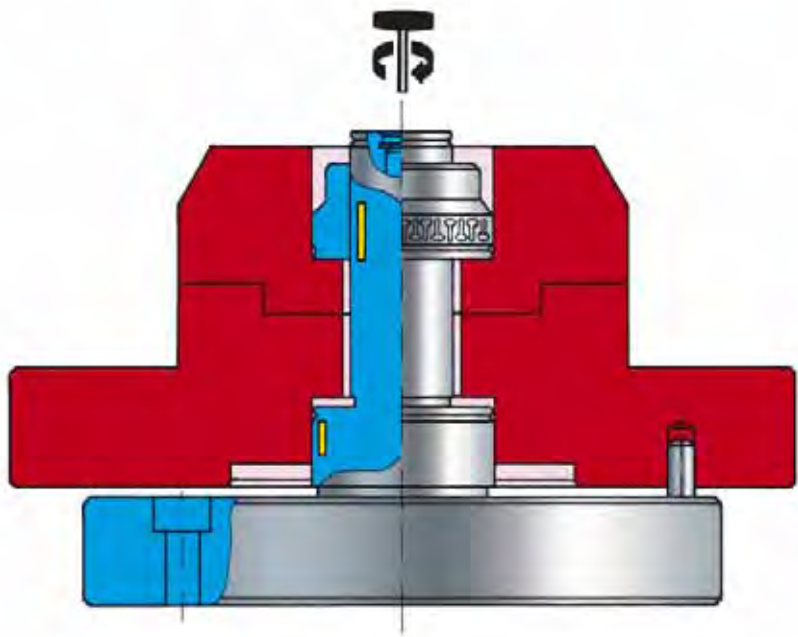
Mounting

Königsdorn® mandrels as mounting devices

Königsdorn® mandrel as device for mounting two individual parts which are removed from the device after boring and screwing.

Positioning of the lower part takes place via the mandrel and an eccentrically located sizing pin. Positioning of the upper part through a slotted clamping bushing which has been placed above the mandrel in addition.

The clamping force is initiated axially by hand, allowing simultaneous clamping of both clamping locations.

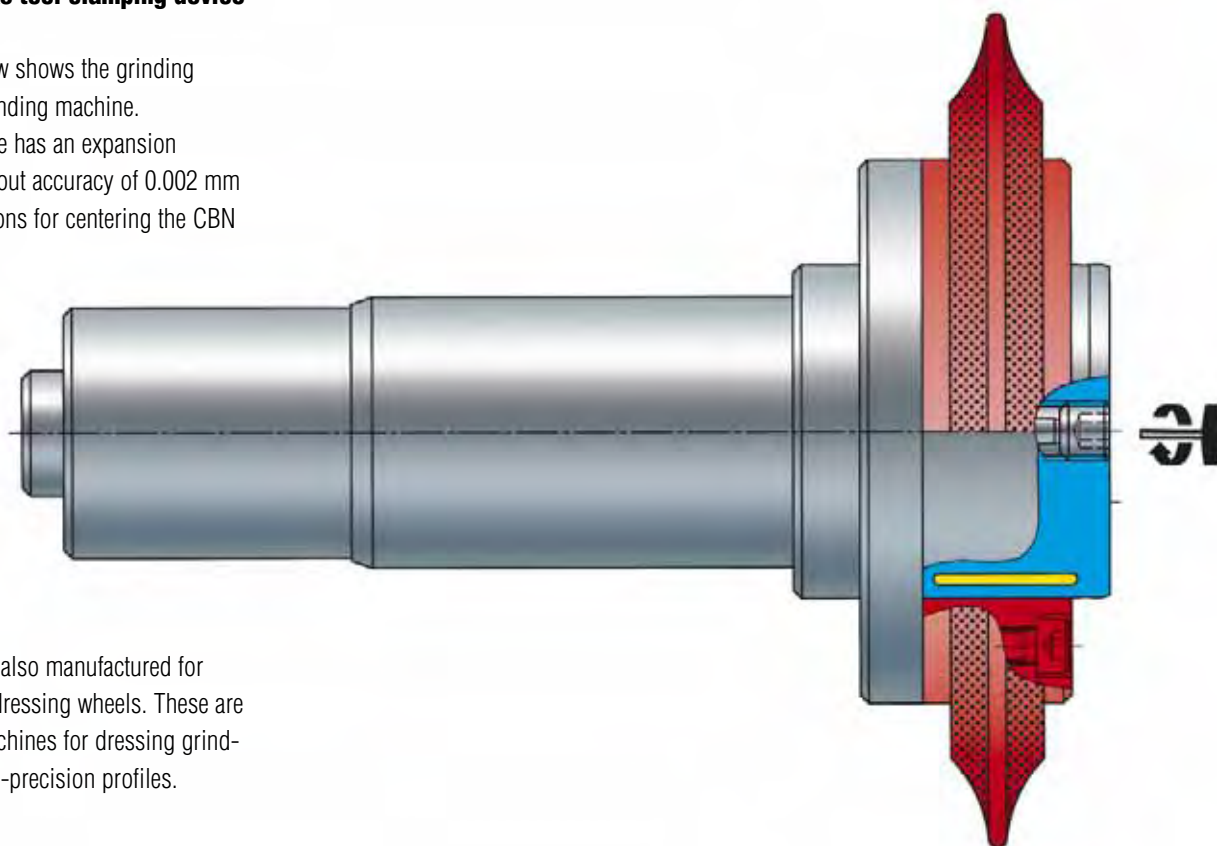


Hydraulic Clamping Tools

Machine Elements

The Königdorn® as tool clamping device

The illustration below shows the grinding spindle of a gear grinding machine. This grinding spindle has an expansion chamber with a run-out accuracy of 0.002 mm to the bearing locations for centering the CBN grinding wheel.

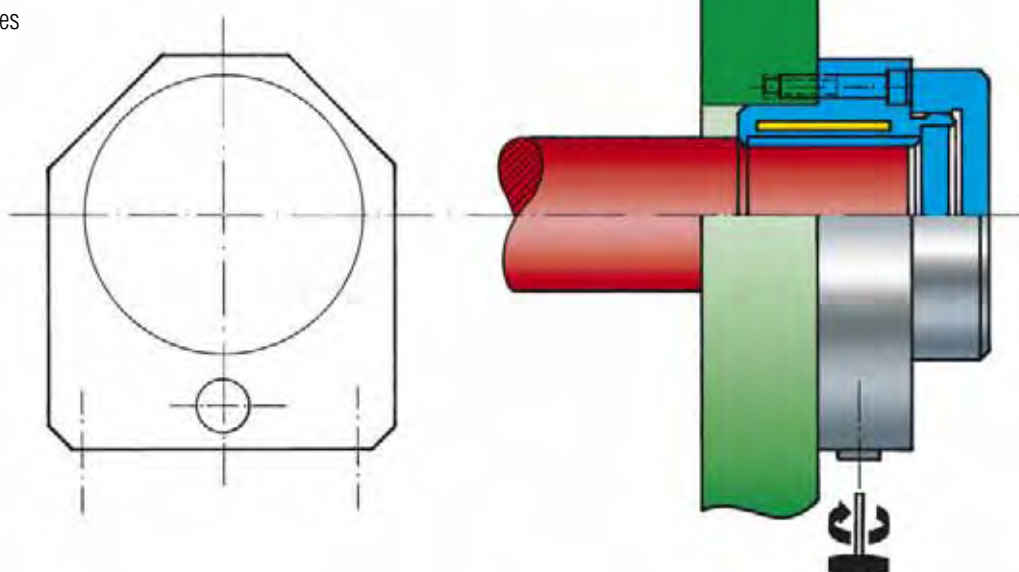


Similar spindles are also manufactured for mounting diamond dressing wheels. These are used in grinding machines for dressing grinding wheels with high-precision profiles.

The clamping system of Königdorn® devices can easily be transferred to elements of general machine construction.

The clamping force is initiated here, as with most Königdorn® devices, manually with a tool at the most accessible locations.

The illustration on the right shows a Königdorn® chuck for backlash-free centering of a tailstock center.



Options for Hydraulic Clamping Tools

Electronic Clamping Pressure Control

Electronic clamping pressure control of Königdorn® mandrels and chucks with König-mtm's pressure tester dms1

Why electronic clamping pressure control?

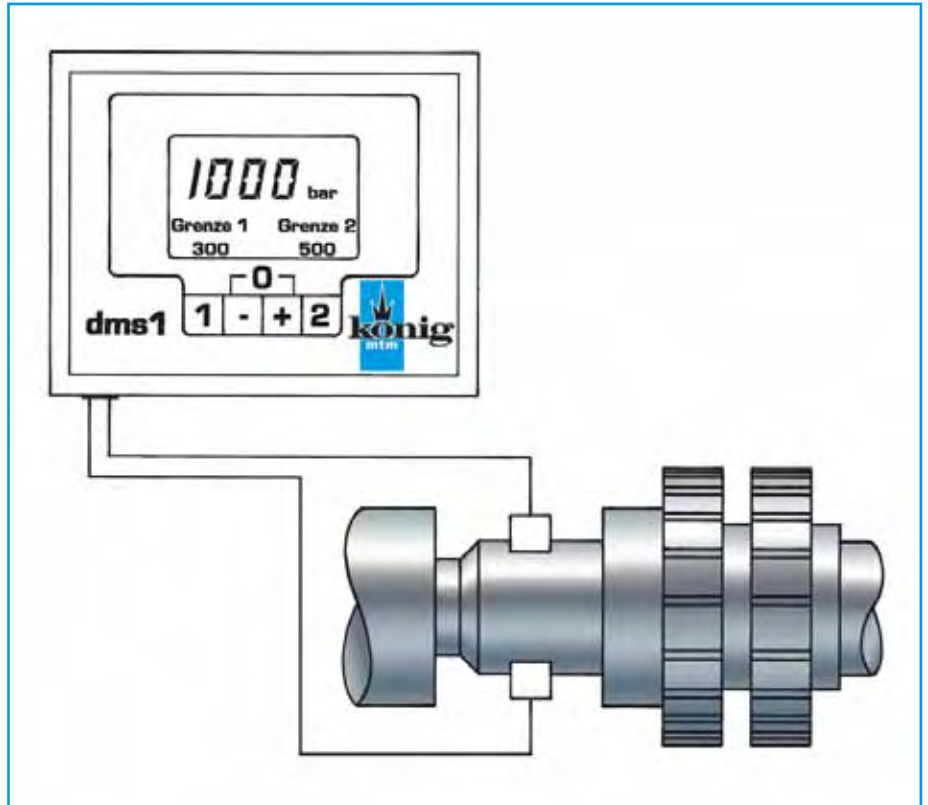
The expansion of mandrels and chucks falls into a range of up to a maximum of 0.3 % of the clamping diameter. This fact leads to optimal clamping for every mandrel and chuck with a certain clamping pressure.

With manual clamping in particular, it is easily possible to select a clamping pressure which is too high or too low. Both possibilities have disadvantages.

If the clamping pressure is too low, the workpiece on the mandrel can shift radially or axially, resulting in the destruction of either the workpiece or the tool during the machining process.

If the clamping pressure is too high, sensitive workpieces can be deformed, i.e. workpieces can be stretched so that specified tolerances cannot be kept after machining has been completed.

Layout and display of the Königdorn® clamping pressure control dms1



Thus, without clamping pressure control, it cannot be assured that the same workpieces and the same machining process will result in the same quality of the finished product. In order to improve clamping pressure monitoring, the electronic clamping pressure control system was developed by mtm.

This system always guarantees the same clamping pressure in a Königdorn® mandrel or chuck.

In addition to these advantages, expensive tools or manufacturing devices are protected against damage.

If you have any questions regarding electronic clamping pressure control, do not hesitate to contact us. We will be glad to advise you.

The functions of the system

The Königdorn® mandrel is equipped with a pressure sensor. The pressure tester dms1 is connected via dirt-insensitive magnetic contacts. If the clamping screw on the mandrel is manually actuated, the internal pressure of the mandrel can be read digitally on the tester. Thus, the clamping pressure can be controlled and reproduced at any time.

For automatic clamping, an upper and lower limit is determined in the control instrument. The device can be connected to the machine via a pressure-free outlet so that disturbances can be recognized immediately by the machine control system. The measured pressure is displayed from 0-1,000 bar.

Options for Hydraulic Clamping Tools

Various Application Specific Additions

Oil spiral groove

An oil spiral groove on the clamping surface improves clamping safety and improves torque during certain machining tasks.

Coatings

Various optional coatings offer the possibility to reduce wear and thereby increase the operational life of Königdorn® devices. Furthermore, the machining torque can be increased through an appropriate coating.

Automatic adjustment device

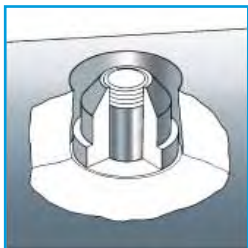
With power-operated clamping devices, manual adjustment can be avoided and the operating life of Königdorn® clamping devices can be increased through this system.

Pendular device/wobble plate

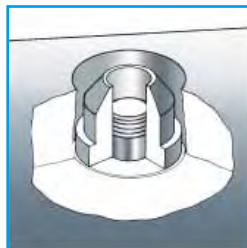
With workpieces where the flat surface is not machined precisely, i.e. not precisely enough, axial and radial run-out can be improved with a pendular device.

Operation indicator

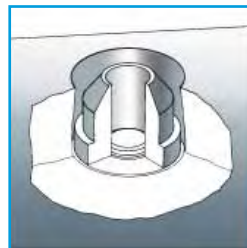
Through an indicator pin on the Königdorn® device, the operator can recognize if the mandrel or chuck is clamped or not clamped. A mark on the pin indicates when the clamping device has to be readjusted. The operation indicator can only be installed in mandrels and chucks with external oil supply.



Königdorn®, clamped



Königdorn®, unclamped



Königdorn® clamping has to be readjusted

Transport and storage box

Specially manufactured solid wood containers are used for proper storage and transport of Königdorn® devices.



Königdorn® for the operation on a gear honing machine. The mandrel is actuated through its own spring and is unclamped through the machine cylinder.





The König Group is located in Wertheim, the most northern town of Baden-Württemberg.

Lying on the confluence of the Main and Tauber rivers, the former seat court of the Count of Wertheim has a particular atmosphere with its ancient lanes, half-timbered houses and the castle ruin from the 12th century.



König-mtm GmbH, Spanntechnik

Postfach 1463 · 97864 Wertheim

Am Stammholz 13 · 97877 Wertheim

Tel.: +49 (0) 93 42 876-0

Fax: +49 (0) 93 42 876-123

e-Mail: sales@koenig-mtm.de

www.koenig-mtm.de

Production Program

Mechanical mandrels

Hydraulic mandrels

Mechanical chucks

Hydraulic chucks

Splined mandrels

Light-weight mandrels

Complete holding devices

Electronic clamping pressure control

Special mandrels

Clamping mandrels for hobs

Rotor milling devices

Special collet chucks

Special flanges

Spindles

**Quality management:
ISO 9001:2000 certified**

**Environment management:
ISO 14001 certified**

© 2008 by König-mtm, Spanntechnik

Products and methods are subject to change without notice.